



Picture may vary from actual product

Vario.Gate

The new Reader Generation in People Access. Choose innovation, flexibility and sustainability.

The new Simplicity

- One scanning point for all tickets, RFID, Print@Home or barcode tickets of any size (long, wide or short).
- Stadiums, exhibition centers, attraction parks or any other people access environment – Vario.Gate feels at home everywhere.

Reduce costs – Save money

- You invest in the future: Vario.Gate is well prepared for future technologies.
- Low-maintenance design: Carry out standard maintenance tasks yourself quickly and easily.
- Migration made easy: Continue to use existing SKIDATA turnstiles, or use Vario.Gate in combination with existing SKIDATA access readers.

Increase your turnover – Strengthen your brand

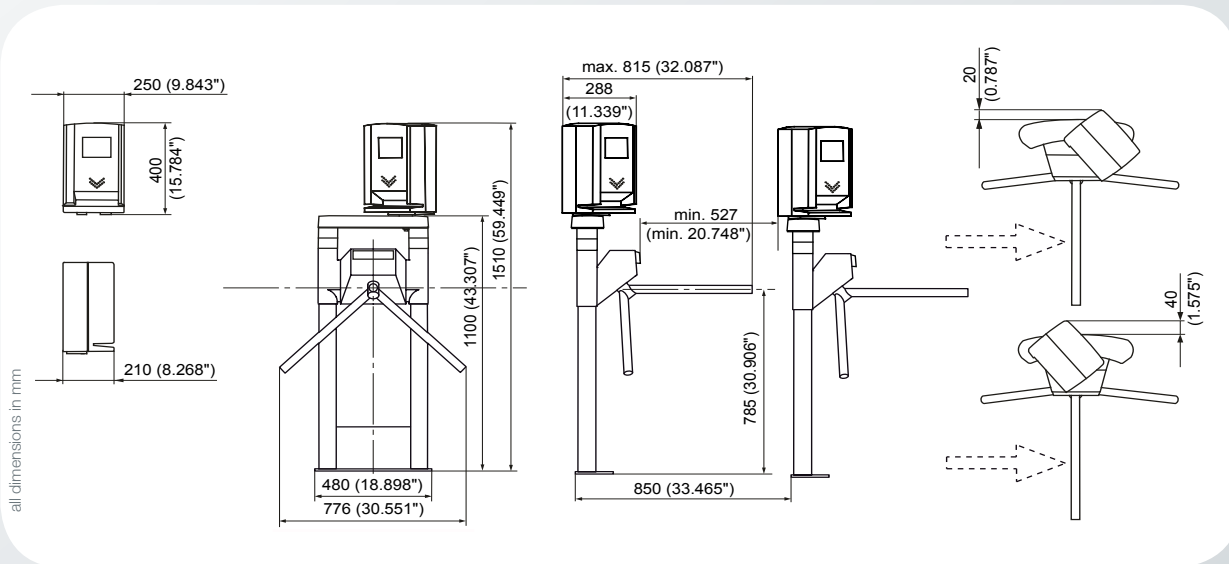
- Vario.Gate recognizes invalid tickets and prevents unauthorized access.
- Use the new display for advertising.
- Make the access area the signature of your company: Vario.Gate is also available in your corporate colors. We will be happy to advise you!
- Take the (work)load off your staff at the access gate. This way, they will have more time to provide customer service and individual advice – because satisfied customers will be happy to become regular customers.

Very easy to operate – as confirmed by visitors

- Different tickets – one scanning point: It's that easy.
- Queuing is a thing of the past: Waiting time is minimized by means of an intuitive user guidance.

Reliable and secure

- Rest assured: Vario.Gate is offline-capable, so you are prepared just in case your network fails.
- Proven security and reliability: Best-of-breed components have been thoroughly tested in different environments.



Properties

- Extremely easy to use, because all tickets are read at the same point.
- Read different types of tickets and data carriers for flexible use.
- Vario.Gate is prepared for the implementation of chip technologies such as Calypso, FeliCa or NFC (using mobile phones as data carriers).
- You can continue to use existing SKIDATA turnstiles.
- Supports control of non-SKIDATA turnstiles.
- Opening mechanism makes maintenance easy.
- The modular design enables replacing individual components quickly and easily.
- Space for extensions.
- Vario.Gate is fully integrated into the SKIDATA Handshake.Logic
- Offline-capability guarantees an extremely high degree of reliability and security.

Standard Version

Vario.Gate p@h/qvga/V3

- QVGA Color Display
- Animated LED signaling
- 1D/2D barcode reader optimized for Print@Home tickets
- 13.56 MHz RFID module
- Offline-capable
- Monophonic signal generator
- Opening mechanism

Accessories

- Vario.Gate Spacer Set
- Vario.Gate SD-Interface Print (for SKIDATA turnstile)
- Vario.Gate OEM Interface Print (for OEM turnstile)
- Vario.Gate Cover/V1

Options

Optional equipment

- Vario.Gate Direction Recognition Adapter
- Vario.Gate Operator Light
- Vario.Gate Operator Display
- Vario.Gate/FRMO/Sound module
- Vario.Gate Touch-Pad
- Vario.Gate Camera

Adapter

- Vario.Gate – AS x70i C/Adapter/FL
- Vario.Gate – AS x70i C/Adapter/FR
- Vario.Gate – AS x70i C/Adapter/B
- Vario.Gate – AS x70i C/Adapter/L+R
- Vario.Gate Adapter Retrofit Kit

Customization

- Vario.Gate Customization Casing Color
- Vario.Gate Customization Front Color
- Vario.Gate left SKIDATA-Logo removal

Technical Specifications

Dimensions	250 mm x 400 mm x 210 mm / 9.84" x 15.75" x 8.27" (w x h x d)
Weight	approx. 11 kg / 24.3 lbs (depending on equipment)
Operating voltage	24 V DC
Power consumption	max. 100 W, typ. 1 to 1.2 A
Temperature range	Operation: -30 °C to +50 °C / -22 °F to 122 °F Storage: -30 °C to +70 °C / -22 °F to 158 °F
Chassis	High performance plastic in RAL 9007, black laminated safety glass
Data carriers	1D-barcode: Interleaved 2 of 5, EAN 8/13, Code 39/128 2D-barcode: DataMatrix, PDF 417, QR RFID: Mifare Ultralight/Classic, Infineon MyD plain More barcode types and data carriers on the basis of ISO14443 A/B und ISO18092 / NFC / incl. ccrypting on request Skidata RFID: keycard basic/unlimited/ca13/advanced/venue, keytix light, keywrist light/unlimited
Interface	10/100 Mbit Fast Ethernet Auto Negotiation / Auto Crossing
Declarations / Certifications	CE, FCC, IC, _C U _{US} , Ukr-Seprou, GOST-R, C-Tick
Protective class	IP 53
Throughput	approx. 1200 persons per hour, depending on the access behavior of visitors (as measured with SKIDATA turnstile, theoretical reading rate is considerably higher)
System Requirements	Handshake.Logic Version 6.0

SKIDATA AG • Untersbergstraße 40 • A-5083 Grödig/Salzburg
[t] +43 6246 888-0 • [f] +43 6246 888-7 • [e] info@skidata.com [w] www.skidata.com • Version 4.7 • 03.09.2013

© 2013 SKIDATA AG. All rights reserved.

The content provided herein is subject to change and possible editorial errors. Country-specific versions may vary. SKIDATA® is a registered trademark of SKIDATA AG in the USA, the European Union and other countries. Terms and conditions of the authorized SKIDATA distributor apply. The operator is fully responsible for compliance with any legal provisions applicable to the operation of the products.