



Picture may vary from actual product

Turnstile.Gate ADA

Visitor-friendly and profitable at the same time:
Extra wide gate for enhanced access security
and convenience.

Ultimate access convenience with motorized gates

- Entry is fully contactless – the turnstile arm is actuated automatically.
- Faster entry means less queuing for your guests and smoother visitor flow at your venue.

A choice of intelligent options

- Extra wide entrances for simple, convenient access e.g. with wheelchair or stroller.
- Optimize visitor flow thanks to monitored sensor area.

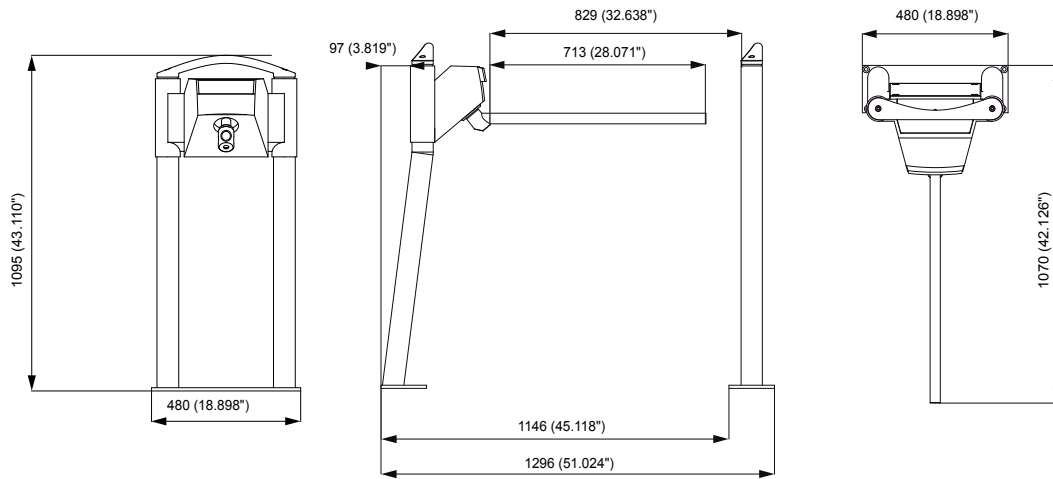
A class of its own

- Single-armed ADA compliant turnstiles offer flexible access management.
- Fast and secure access for up to 600 entries per hour.

A perfect team player

- Go for perfect gate access by combining your three-armed Turnstile.Gates with a Turnstile.Gate ADA.
- Take advantage of this extra feature to enhance the convenience and security of all your visitors.

all dimensions in mm



Properties

Range of applications

- Pedestrian access to stadiums, exhibition centers, visitor attractions etc.
- One-at-a-time admission and passage registration
- Person counter
- Suitable for indoor and outdoor use

Features

- Low-maintenance, motor driven turnstile mechanism with electrical brake
- Torque control and overload protection
- Opto-electronic sensor and
- Extended opto-electronic sensor
- Hands-free turnstile opening movement upon release
- Turnstile arm is released in case of power failure

Options

- Floor-mount receptacle (for installation in raw concrete)
- Cover plate for floor-mount receptacle
- Railing, mountable on concrete flooring, on floor-mount receptacle or on palette; can be used as floor stand for mounting of Compact.Gate or Vario.Gate without Turnstile.Gate
- Single-armed turnstile with flexible bar, complete with shock absorbing protection cover

Standard Version

- Servo turnstile unit, including hands-free sensor for Turnstile.Gate ADA
- Specially designed for people carrying luggage and persons with disabilities

Accessories

- Floor stand (stainless-steel), disability-friendly
- Single-armed turnstile with fixed bar
- Shock absorbing protection cover for single-armed version
- Vario.Gate/FRMO/PWR240 power supply unit

Technical Specifications	
Dimensions	480 mm x 1095 mm x 1070 mm / 18.9" x 43.11" x 42.13" (W x H x D)
Weight	Turnstile with floor stand and turnstile arm max. 27 kg Railing max. 15 kg
Power supply	24 V DC
Power consumption	max. 50 W
Temperature range	Operation: -30 °C to +40 °C (-22 °F to + 104 °F) Storage: -30 °C to +70 °C (-22 °F to + 158 °F)
Housing color	Die cast aluminum, RAL 9006
Declarations / Certifications	CE, _C NRTL _{US} optional, GOST-R, Ukr-Sepco
Safety note	May only be used for manned entrances! Operation mode "free passage" is not allowed! The device is not designed for mass entrances!
Degree of protection based on IEC 60529	IP44