



DoorReader.Gate

Convenient access for all types of users and applications.

A reader with a wide vocabulary

- Reads all barcode and mag stripe tickets including credit/debit cards – you select the functionality.
- Optional RFID enables keycard functionality for contract users.

Access all areas

- Link to external systems like door, roller shutter gate, alarm, video, etc. for seamless operation.
- Control access by linking it to centralized monitoring systems like Operator.Services or Parking.Logic.

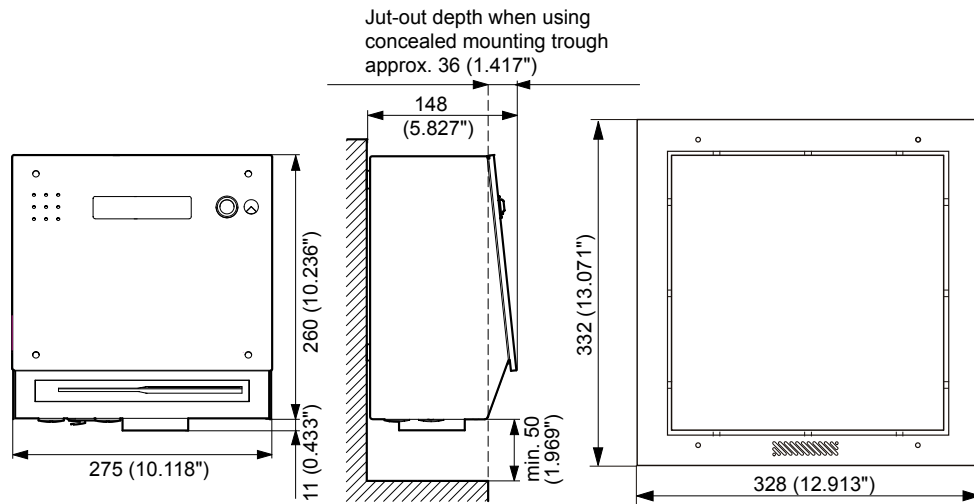
Smart solutions for local applications

- Mount inside cavity to reduce depth to 36 mm (1.42").
- Mountable on walls or self-made stands.
- Enable entry for people or vehicles – ideal for section access.

Small package that's big on features

- Intercom help at the push of a button.
- Weather tolerant design with a sheltered reader slot.
- User-friendly illustrations on featured on face for simple swiping.

all dimensions in mm



Features

- Reading of all system barcode tickets (length and crosswise)
- Reading of system and ISO magnet stripe tickets (track-2)
- Alphanumeric 2-line display with 16 characters per line incl. rear-illumination for improved user guidance or status display
- Call button, microphone and loudspeaker for plugging into an external intercom system
- Pictogram with user instructions for all data carriers
- Beeper
- Remote-control via application
- Ethernet interface
- Emergency operation in stand alone mode
- Integrated heater and fan
- Power supply with automatic long range input
- 1 input / 1 output (max. 1 A for door magnet supply)

Options

- 13-MHz RFID module ^{*}), incl. optical display with LEDs: ISO-15693, ISO-14443-3 A/B (on demand via T=CL: ISO-14443-4-A/B, ISO-18092/NFC-IP1 - Via T=1: max. 3x ISO-7816 SAM-Module)
- lolP[®] module for crystal clear, digital intercom quality (ET-901A)
- I/O module with 6 additional inputs and outputs
- Flush-mounted socket for wall mount of door reader with steel panel cover (powder-coated)

Technical Specifications

Dimensions	Reader: 257 mm x 260 mm x 148 mm / 10.12" x 10.24" x 5.83" (w x h x d) Slot for flush-mounted socket: min. 284 mm x min. 314 mm x 120–123 mm / 11.18" x 12.36" x 4.72–4.84" (w x h x d) Cover flush-mounted socket: 328 mm x 332 mm / 12.91" x 13.07" (w x h)
Weight	Reader: 5,5 kg (12.1 lbs), flush-mounted socket with cover: 4 kg (8.8 lbs)
Operating voltage	95 to 265 V AC, 50 to 60 Hz, autosensing
Power consumption	max. 200 VA
Temperature range	–20 °C to +45 °C (ambient)
Housing materials	Rear section: powder-coated steel, Front section: plastic
Cabinet color	Reader and flush-mounted socket cover: RAL 9006 White aluminium; Front RAL 9007 Grey aluminium; display border & microphone RAL 7043 Traffic grey B
Humidity	Up to 90 % (non-condensing)
RFID data carrier [*])	keycard basic/unlimited/ca13/advanced/venue, keytix light
Interface	Ethernet – 10MBit/s Half-Duplex, max. 20 Broadcasts (Arcnet – up to Parking.Logic-R05 and APT450.Logic-R22 with Windows-XP/2003)
I/O reader	1 x opto-decoupled, typical 12 to 24 V, max. 30 mA 1 x 24 V Relais output; max. 1A, 12 V or 24 V DC supply possible
I/O module	6 x IN / 6 x OUT; max. 28 V DC, low active, 25 mA switching capacity
Barcode scanner	CCD, Red light 650 nm (no Laser)
Mounting	to be wall-mounted using 3 x 8 mm standard wall dowels (not included)
Declarations / Certifications	CE, FCC, IC, Ukr-Sepuro
Degree of protection based on IEC 60529	IP4X (applies only when installed according to the installation manual)

^{*}) Confirmation whether different data carriers and/or formats will function properly can be obtained only from the Sales Support Center.

^{*}) Processing of 125 kHz SKIDATA data carriers will be supported ONLY with an optional RFID module downgrade until the end of 2016 at the latest.

^{*}) NO additional new 13 MHz data carriers will be implemented into the existing 125kHz/13MHz RFID Module (End- of-Service).

SKIDATA AG • Untersbergstraße 40 • A-5083 Grödig/Salzburg
[t] +43 6246 888-0 • [f] +43 6246 888-7 • [e] info@skidata.com [w] www.skidata.com • Version 3.1 • 26.03.2014

©2013 SKIDATA AG. All rights reserved.

The content provided herein is subject to change and possible editorial errors. Country-specific versions may vary. SKIDATA[®] is a registered trademark of SKIDATA AG in the USA, the European Union and other countries. Terms and conditions of the authorized SKIDATA distributor apply. The operator is fully responsible for compliance with any legal provisions applicable to the operation of the products.