



## Coder Basic 'Desktop' & Coder Unlimited 'Desktop'

What does it take to provide coder functionality at your cashier desk?  
A simple USB connection.

### Ticket production capability at your desk

- Print text and graphics on tickets via high resolution thermal printing; reuse keycards thanks to erasable printing.
- Produce receipts on blank paper tickets or print receipt text on existing tickets.

### The convenient ticket reader option...

- The fast, low-noise ticket production you want and the cash drawer control you need.
- Supports standard 13MHz-RFID and ISO magnetic stripe cards for a wide range of business applications.

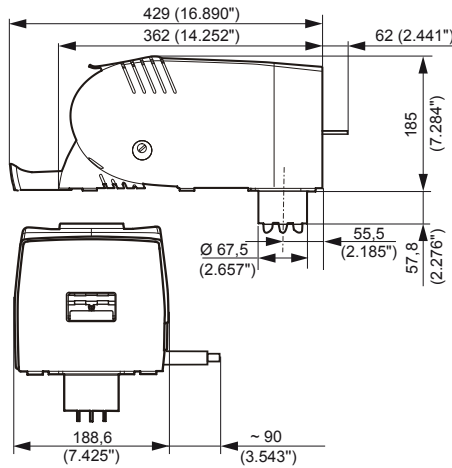
### Choose the ticket technology you need

- From crosswise or lengthwise barcodes, magnetic stripe and 13 MHz-RFID to SKIDATA or other validations.
- Handle large print runs with ease thanks to automatic feeding of tickets from two different bins.

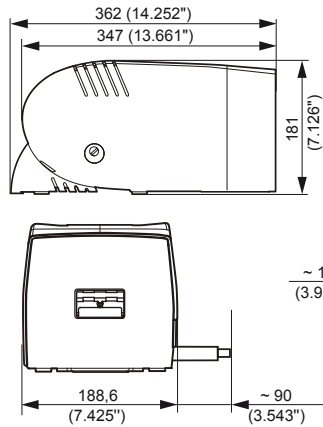
### ...is also the convenient payment option

- Quick and easy payments with multiple cards.
- Enable immediate exit at manned gates with automatic ticket recoding after payment.
- Minimize cashier fraud with automatic ticket verification.

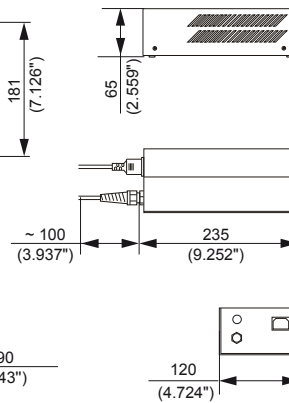
Coder Unlimited 'Desktop'



Coder Basic 'Desktop'



Power Supply



all dimensions in mm

## Features

- Reliable and economical, thanks to low-noise high-speed printing
- Tamper-proof as printing, coding and verifying is done in a single processing step
- Very high issuing speed
- Ultimate printout quality thanks to 300 dpi thermal print head
- Thermal direct printing (blackening of a thermal layer on the ticket's surface)
- USB port, cash drawer interfaces
- Device can be locked with removable key

### Coder Unlimited

- Erasing and writing of ThermoReWrite keycards in a single process step
- Integrated rest for RFID data carriers (for use with optional RFID functionality)
- Two ticket parking positions for simultaneous processing of up to three tickets
- Two intakes for processing of fanfold stock and issuing of tickets and receipts on separate blank tickets

### Coder Basic

- Ultimate barcode scanning quality, thanks to hermetically

sealed scanner unit (top)

- Manual ticket insertion via front ticket slot

## Options

- Scanner for crosswise barcodes (top/bottom; 2/4 insertion directions)
- Validation hole detector module
- Validation detector light barriers for detecting validation holes (available ex works only)
- Cable for cash drawer control (1-IN/1-OUT or 4-IN/2-OUT)
- Locking system cylinder
- Cleaning kit for Coder Unlimited & Coder Basic

### Coder Unlimited

- Scanner module for lengthwise barcodes (top/bottom; 2/4 insertion directions)
- Magnetic stripe card reader (1/2 insertion directions; 2/3 tracks; LoCo/HiCo)
- 13-MHz Module with support for internal/external antenna: keycards, ISO-15693, ISO-14443-3 A/B (on demand via T=CL:ISO-14443-4 A/B, ISO-18092/NFC-IP1 – Via T=1:max. 2x ISO-7816 SAM-Modules)

## Technical Specifications

|                               | Coder Unlimited                                                                                                                                                                                      | Coder Basic                                               |
|-------------------------------|------------------------------------------------------------------------------------------------------------------------------------------------------------------------------------------------------|-----------------------------------------------------------|
| System-based data carriers *) | TK-/TKC-Unlimited (Barcode-/Magnetic Stripe Ticket)<br>TKI-Unlimited (Infrared-Barcode Ticket)<br>keycard basic/unlimited/ca13/advanced/venue,<br>keytix light, keywrist light, VP Card with Barcode | TK Unlimited<br>VP Card with Barcode                      |
| Third-party data carriers     | Magnetic Stripe Cards (ISO 7811)<br>RFID-based cards *) (ISO-15693, ISO-14443, ISO-18092)                                                                                                            |                                                           |
| Ticket issuing speed          | up to 1500 tickets per hour                                                                                                                                                                          | up to 750 tickets per hour (inserted manually)            |
| Device dimensions             | approx. 190 mm x 190 mm x 430 mm / 7.48" x 7.48" x 16.93" (w x h x d)                                                                                                                                | approx. 190 mm x 190 mm x 370 mm / 7.48" x 7.48" x 14.57" |
| Weight                        | up to 5 kg / 11 lbs                                                                                                                                                                                  | up to 3 kg / 6.6 lbs                                      |
| Operating temperature range   | 0 °C to +40 °C / +32 °F to +104 °F (ambient temperature)                                                                                                                                             |                                                           |
| Operating voltage             | 24 V DC / 4–6.5 A                                                                                                                                                                                    |                                                           |
| Power consumption             | max. 156 W to 24 V DC                                                                                                                                                                                |                                                           |
| Interfaces                    | USB 2.0 compatible / Cashbox (4 Input / 2 Output)                                                                                                                                                    |                                                           |
| USB driver                    | XP(e)/W2000/SRV2003/Vista (x86 only), W7(e)/W2k8R2 (x86+x64)                                                                                                                                         |                                                           |
| Declarations / Certifications | CE, <sub>c</sub> UL <sub>US</sub> , GOST-R, FCC, IC, KCC, Japan Certification (MIC)                                                                                                                  |                                                           |
| Enclosure color               | Silver-gray anthracite bright (~RAL 9006), Anthracite dark (~RAL 7043),<br>Data carrier rest: SKIDATA Yellow (approximates Pantone 114U)                                                             |                                                           |

\*) Confirmation whether different data carriers and/or formats will function properly can be obtained only from the Sales Support Center.

\*) Processing of 125 kHz SKIDATA data carriers will be supported ONLY with an optional RFID module downgrade until the end of 2016 at the latest.

\*) NO additional new 13 MHz data carriers will be implemented into the existing 125kHz/13MHz RFID Module (End-of-Service).

SKIDATA AG • Untersbergstraße 40 • A-5083 Grödig/Salzburg

[t] +43 6246 888-0 • [f] +43 6246 888-7 • [e] info@skidata.com [w] www.skidata.com • Version 4.1 • 13.03.2013

©2013 SKIDATA AG. All rights reserved.

The content provided herein is subject to change and possible editorial errors. Country-specific versions may vary. SKIDATA® is a registered trademark of SKIDATA AG in the USA, the European Union and other countries. Terms and conditions of the authorized SKIDATA distributor apply. The operator is fully responsible for compliance with any legal provisions applicable to the operation of the products.