



## Barrier.Gate

A system for all purposes and applications!

No barriers for you and your applications – but a distinct boundary for your parking facility!

### Quick Movements, Longer Booms

- Boom lengths up to 4,5 meters (14,76 ft) in one single variation of the basic device with optional magnetic lock to prevent misuse.
- Configurable opening times: openings are up to 15% quicker than other systems.

### Entirely New Applications

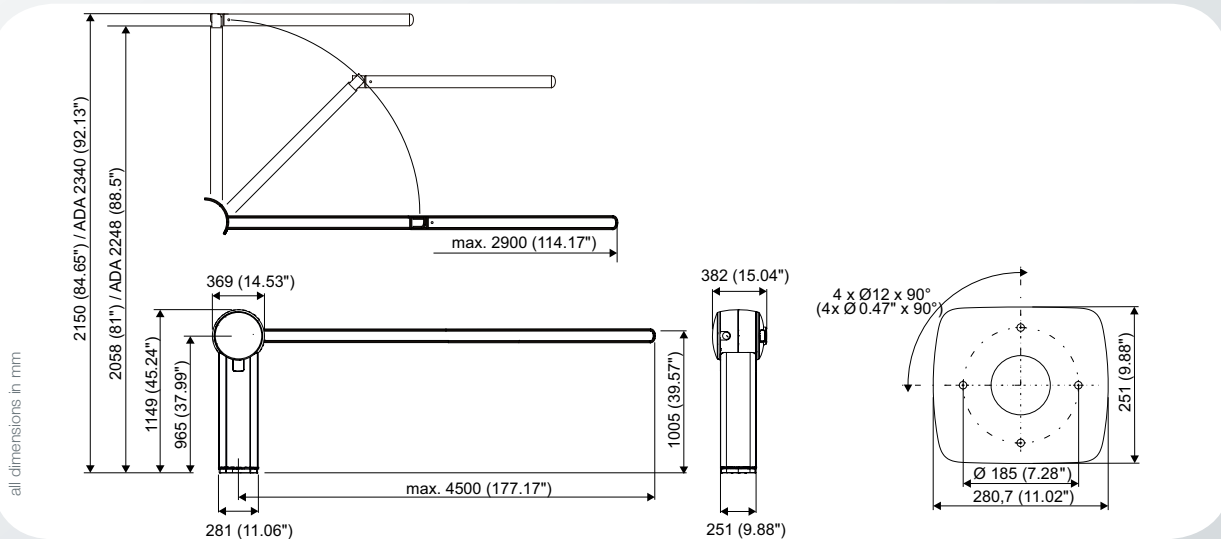
- Display of various symbols via the integrated lane signal.
- Surveillance using a built-in video camera that is safe against vandalism.
- Unique: Colored joint barrier boom using RGB LEDs for safety and recognisability.

### The Intelligent System Without Column

- The inexpensive solution for your long-term parking facility: You only need the barrier gate, no column.
- Integrable RFID readers solve the task of parking facility monitoring.
- Small amount of components.

### High-Quality, Energy-Optimized Components

- High-quality design that is the best in its field.
- Special focus on the use of energy-saving components.
- Operation in a wide range of temperatures possible without any extra heating or ventilation.



## Features

- Housing made from high-impact resistant plastic; support stand manufactured from anodized aluminum
- Integrated drive gear motor with frequency converter control and slipping clutch
- Self-locking drive (stops motion in case of power failure)
- Barrier breakage detector
- Variable opening times, configurable in accordance with barrier arm length
- Barrier arms made from GRP
- Barrier arm lengths up to 4,5 m (14,76 ft)
- Barrier arms are easy to mount
- Versions for left-hand and right-hand traffic

## Standard Version

- Parking barrier with mounting plate, main body manufactured from aluminum, drive motor and washer for barrier arm installation
- Electronic control assembly with data connection to Power.Gate, Lite.Gate or Column.Gate parking column
- Yellow contour stripe
- Triangular key for opening the housing

## Options

### Barrier arms

- Standard: Color: Traffic Yellow RAL 1023/translucent; non-illuminated for lengths up to 4,5 m (14,76 ft)
- Multi-color version: Color: white/translucent, with interior RGB LEDs for optional illumination of barrier arm in red, yellow and green to indicate closed, opening, and open states, respectively; lengths up to 4,5 m (14,76 ft)
- Jointed barrier arm: Overhead clearance: 2,07 m (6,8 ft) or 2,25 m (7,38 ft); Lengths 2,5 m (8,2 ft) or 2,9 m (9,5 ft)

### Functional modules

- Up to two double loop detectors for detection of vehicles and passage direction
- Bi-directional red warning light to indicate moving barrier arm
- Beeper for acoustic indication of barrier motion
- Crash guard, made from stainless steel
- Interface for illumination options and optional loop detectors
- Interface for up to 16 additional I/Os
- Barrier lock for Webkey system
- Lock for installation in locking systems
- White contour stripe
- Backlight for contour stripe

## Technical Specifications

<b>Dimensions</b>	382 mm x 1149 mm x 369 mm / 15,04" x 45,24" x 14,53" (w x h x d)
<b>Weight</b>	48 kg (105,82 lbs) (without barrier arm)
<b>Operating voltage</b>	100-240 V $\pm$ 10% / 50-60 Hz / Maximum current 1,8 A at 240 V or 4,8 A at 100 V With heater for 220-240 V $\pm$ 10% / 50-60 Hz / 3,8 A maximum current With heater for 100-127 V $\pm$ 10% / 50-60 Hz / 8,1 A maximum current
<b>Temperature range</b>	Standard: -20 °C to +50 °C (-4 °F to +122 °F) Cold Kit (heater): -40 °C to +50 °C (-40 °F to +122 °F) Hot Kit: -20 °C to +55 °C (-4 °F to +131 °F)
<b>Support Stand - Color</b>	Light Gray RAL 7035 (Anodized Aluminum)
<b>Top Section - Color</b>	Dusty Gray RAL 7043 (Plastic)
<b>Base Section - Color</b>	Traffic Gray RAL 7043 (Die-Cast Aluminum)
<b>Contour Stripes - Color</b>	Traffic Yellow RAL 1023
<b>Degree of protection</b>	IP44
<b>System Requirements</b>	SKIDATA Online Stack 3.0 resp. Parking.Logic V 05.00.04
<b>Declarations / Certifications</b>	CE