



Picture may vary from actual product

MobileReader.Gate

On the go – always in control!

Reading and writing RFID data carriers
– anywhere, anytime, with full freedom of movement...

Ticket checker with a long attention span

- **Stays operational longer than many would want it to:** The durable design and high-quality rechargeable battery ensure long battery run times under any operating conditions – from snow and ice to tropical sunshine.

Stay independent

- **SKIDATA and more:** MobileReader.Gate is the basic device for reading common 13 MHz data carriers – also suitable for SKIDATA proximity applications.
- **Universally rechargeable:** The standard plug of modern mobile phone power adapters also fits MobileReader.Gate – for you this means you can simply re-charge the unit 'on the go', no matter where you are...

Ultimate ease of use

- **Fits nicely in your palm:** Smooth, convenient handling makes even long-term use a pleasure.
- **You'll only need to lift one finger:** Convenient ticket authentication either in continuous auto-read operating mode or at push of a single button.
- **Look and listen:** Visual and acoustic feedback help to make ticket authentication quick & easy.
- **Always at hand:** To keep your MobileReader handy use the palm or wrist strap, lanyard or belt clip, or simply keep it in your pocket.

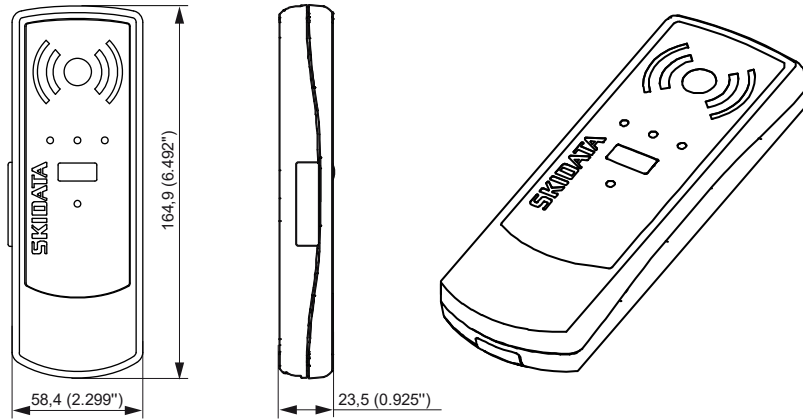
Ticket cheats don't stand a chance

- **Protect your money:** Authenticate permissions on RFID tickets with a PDA (e.g. Handheld.Gate) on-line – anytime, anywhere.

Great value for money

- **Suitable for outdoor use:** Don't worry, be happy – about the low cost of ownership of this range of mobile devices, which operate reliably in any weather conditions.
- **Future-proof design included:** MobileReader.Gate is a safe investment all round, using the latest RFID technology that keeps up with technical progress and pays for itself soon.

all dimensions in mm



Features

- Small, handy RFID reader
- Suitable for indoor and outdoor-applications
- One button for all purposes:
 - On/Off switch (fixed), Bluetooth Pairing Mode (fixed)
 - Trigger button for Power Save/Wake-Up functions
- Information elements for displaying authentication result
 - 3 'traffic light' LEDs: red, yellow, green
 - Buzzer: up to 70 dBA, 100 Hz–10 kHz
- The functions of the individual user interfaces (traffic light LEDs, buzzer and trigger button) can easily be configured via the host application
- On-line functionality via host device
- 13 MHz RFID data carrier
 - Complies with ISO-15693, ISO-14443A/B, ISO-18092
 - Prepared for use of 1 SAM module (e.g. Calypso, FeliCa)
- Impact-resistant up to 1 m (39.37") drop height onto stone surface
- Li-ion battery for extended temperature range (–20 °C to +60 °C / –4 °F to +140 °F)
- Extra status LED (for charge status & communication)
- Bluetooth 2.0 (SPP data connection to host)
- Micro-USB re-charge/communication port (covered)

Standard Version

- MobileReader.Gate, complete with RFID module and antenna
- Bluetooth & covered USB port
- Li-Ion battery (built-in): 2600 mAh
- Cable (1 m / 39.37") with micro-USB connector / USB-A connector
- SKIDATA lanyard
- Belt clip
- Palm strap

Options

- Belt bag (with extra space for palm strap)
- USB re-charging device (single-port)

Commercially-available Options

- Power adapter for external power supply via USB
- Cell phone power adapters (e.g. for in-car use) with micro-USB connector
- Wrist Strap
- Lanyard

Technical Specifications

Dimensions	58.4 mm × 164.9 mm × 23.5 mm / 2.3" × 6.49" × 0.93" (w × h × d)
Weight	185 g (6,525 oz)
Temperature range	–20 °C to +60 °C (–4 °F to +140 °F); (0–95 % r. H.)
Color	Housing: Light Gray (RAL 7035) Device front panel: Traffic Gray (RAL 7043)
Host Interfaces	Bluetooth 2.0 (Class 3, 0–10 m / 0"–395"), USB 2.0 (Micro-USB port, covered)
USB driver	XP(e) / W2000 / SRV2003 / Vista (x86 only), W7 (e) / W2k8R2 (x86+x64)
Data communication	Bluetooth SerialPortProfile, SKIDATA BLL4 Protocol
Declarations / Certifications	CE (incl. WEEE), FCC, _e TUV _{us} , IC, C-Tick
Charging conditions	500 mA / 5 V DC (charging via micro-USB), full charge within 6 h, 5 °C to 40 °C (41 °F to 104 °F)
Operating time	approx. 40 h / approx. 50.000 data carrier read cycles in 3-second intervals, ISO-15693 / ID-1-format
Supported Data Carriers	13 MHz (ISO-15693, ISO-14443, ISO-18092) keycard basic / unlimited / ca13 / advanced / venue, keytix light, keywrist light
RFID Reader	13 MHz (ISO-15693, ISO-14443, ISO-18092) 13 MHz keycards, ISO-15693, ISO-14443-3 A/B On-demand 'scripting' project management for current smartcards: - ISO-14443-4 A/B, ISO-18092/NFC-IP1 (T=CL), max. 1x ISO-7816 SAM Module (T=1)
Typical scanning distance	ISO-15693: 4 cm (1.57") / ISO-14443A/B: 2 cm (0.79") / ISO-18092: 2 cm (0.79")
SAM Modules	1 module (ISO-7816 specified parts)
Host Application/Device	Handshake.Logic V4.0 & Handheld: "Motorola MC55A0" or "Motorola MC67" Freemotion.Logic V19.03.00 (downwards compatible to V16) & Handheld: "PSION Workabout Pro" or "PIDION BM-170"
Degree of protection based on IEC 60529	IP54