



Power.Cash 'Accessible'



The premium payment machine with social responsibility.

Comfortable operation and payment while sitting or standing. The Power.Cash 'Accessible' is the premium product among the SKIDATA parking payment machines in the disabled-friendly version. The touchscreen provides the automated payment machine with a simple user interface and its functionality can be expanded easily. Technically, it offers all the functional options and features of the Power.Cash.

Standing or sitting

The new barrier-free automated payment machine provides all necessary functions according to the international standard; at a height between 80 and 120 cm. All the controls are for everyone, whether sitting or standing, easily accessible – including the change.

Touchscreen

With the standard touchscreen you not only provide a modern interface, but can also take advantage of a simple expansion of the functionality. New services and offers can be easily integrated without the installation of new components.

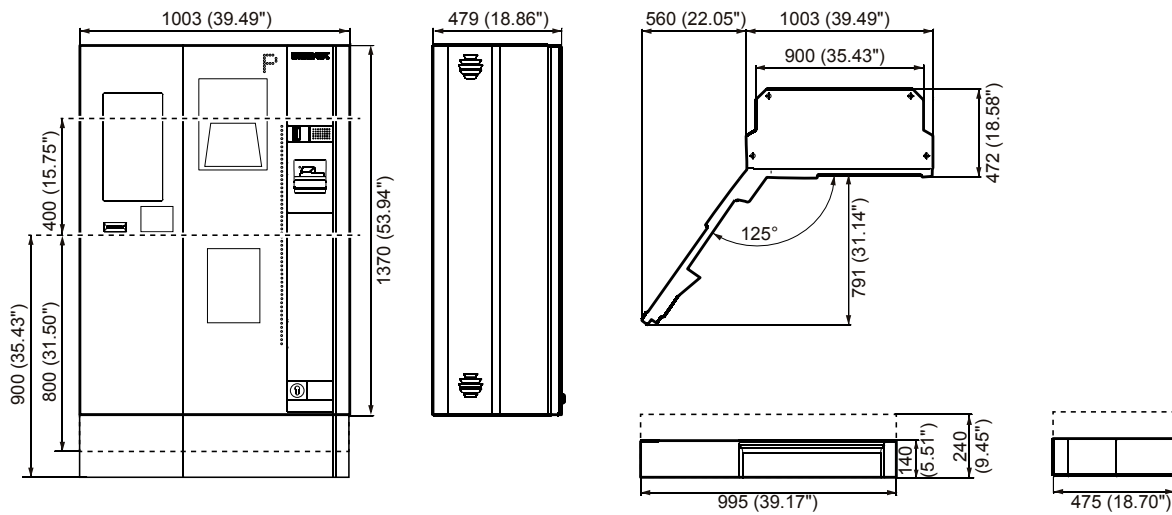
Professional ticketing

Whether customers want to pay by cash or card, or use one of a variety of data carrier formats, Power.Cash is well prepared for today and the coming years. It processes barcode, magnetic, and RFID technologies, offers Print@Home, and is prepared for NFC solutions.

Service made easy

Maximum success with minimum effort. Large ticket capacity, a large coin system, double ticket feeding with automatic switchover, a self-refilling coin system, and the use of a banknote recycler will help to make the operation even easier for you.

all dimensions in mm



Features

Design/Structure

- Unique design based on steel, glass and high-quality plastics
- Backlit "P" parking space sign
- Disabled-friendly design
- VdS certified enclosure construction
- Large space for information labels (format ISO A4), e.g. tariff sheet
- Sufficient capacity for approx. 350 withdrawn paper tickets
- Illuminated change compartment with damped-motion cover
- Intercom system with adjustable volume and microphone
- Heater, cooling fan, and power supply unit
- Uninterruptible power supply can bridge up to 10 minutes

Operation

- Innovative LED illumination on front panel
- Latest touch technology
- Intuitive user interface – shows only active controls
- 26.4 cm (10.4") high-resolution TFT color display with touch screen

Cash handling system

- Electronic coin validator: accepts up to 16 different coins (including 2 programmable token)
- High coin storage capacity of self-refilling change bins (4 × approx. 1000 coins)
- Self-locking coin cashbox made from high-grade stainless steel

Options

Design/Structure

- Housing and light bar available in custom colors
- Two pedestal versions for different user interaction heights
- Installation frames for optional expansion modules (e.g. pin pad)
- Uninterruptible power supply can bridge up to 25 min
- Digital intercom (optionally 2-wire or Ethernet-based)
- Double fanfold ticket intake (2 × approx. 3000 ticket blanks)
- Large ticket holding bin (approx. 1500 tickets)
- Illumination attachment (integrated "Parking" sign, coin and bill symbols, space for custom logo)
- Bag rest (depending on pedestal version used)
- Locking system with mechanical locks or electronic locks (support configurable permissions)

Cash handling system

- Banknote validator SCN 83 with stacking container for up to 600 banknotes
- Banknote validator BNA 56/57 with stacking container for up to 1000 banknotes
- Double- or Triple banknote dispenser with stacking container for up to 500 banknotes per variety (Elevation of issuing point is 660 mm or 760 mm above floor level, depending on the size of the pedestal used)
- Bill-to-Bill banknote recycler with stacking container for up to 1000 banknotes

Coder/ticket technology

- Coder Unlimited for flexible ticket processing
- Coder Basic (crosswise barcode and punch-hole based validation)
- RFID module (for reading and coding of e.g. keycards)
- Print@Home scanner

Technical Specifications

Dimensions	1003 mm × 1370 mm × 479 mm (w × h × d) / 39.49" × 53.94" × 18.86" (w × h × d) without pedestal
Weight	up to 300 kg / 660 lbs (depending on equipment installed)
Power supply	230 V AC / 50 Hz; 120 V AC / 60 Hz
Power consumption	max. 250 W without heater; max. 1 kW with heater on
Operating temperature	-20 °C to +50 °C (-4 °F to +122 °F) (ambient temperature, when installed outdoors under a protecting roof without direct exposure to sunlight)
Default colors	RAL 9007 (gray aluminum), RAL 9005 (deep black) and pedestal RAL 7021 (black-gray)
Enclosure front panel	powder coated, 2 mm (0.08") thick basic enclosure frame, powder coated door panel made from 3 mm (0.12") sheet steel
Supported data carrier formats	SKIDATA tickets for thermal print labelling, with/without magnetic stripe, SKIDATA ThermoPlast and ISO standard magnetic stripes, ISO 7816 compliant smart cards, contactless cards ISO 14443, ISO 15693 compliant cards Options for pay terminals: smart cards, EC cards, credit cards The functionality of integrated data carriers is provided subject to the individual system configuration
Interface	Ethernet, 4 potential-free relay outputs, intercom station
PC	Industrial PC, Windows Embedded Standard 7 operating system, SQL database
Guidelines / Certifications	CE (incl. WEEE), FCC, IC, _c NRTL _{US} (120 V version only), VdS, Ukr-Sepro, ADA (in combination with pedestal 140 mm)
Degree of protection based on IEC 60529	IP43 when installed in protected location as described in the instructions for installation