



Coder Basic 'Desktop' & Coder Unlimited 'Desktop'

What do you need to equip your cash desk with Coder functionality?
A simple USB connection.

Ticket production on your desktop

- Print text and graphics on tickets with high-resolution thermal printing; thanks to erasable printing, keycards can be reused.
- Produce receipts on blank paper tickets or simply print receipt information on your existing tickets.

The practical ticket reader...

- Rapid and noiseless ticket production that you want in addition to the cash drawer control that you need.
- Both 13 MHz RFID standards as well as ISO magnetic stripe cards are supported to cover a very wide range of applications.

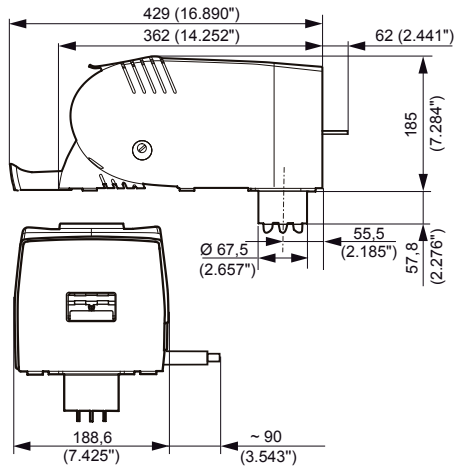
Supports diverse ticket technologies

- Crosswise or lengthwise barcodes, magnetic stripes, 13 MHz RFID, SKIDATA and other types of validation.
- Handle large printing volumes with ease, since tickets are fed automatically from two different ticket holders.

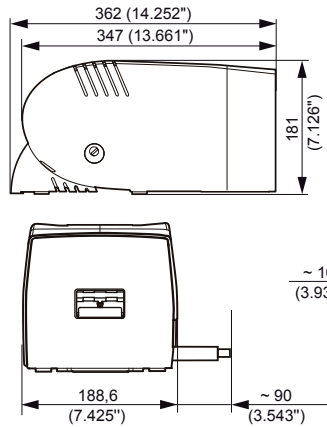
... with a convenient method of payment

- Simple and fast payment using several different types of cards.
- Immediate exit on staffed lanes thanks to automatic ticket recoding after payment.
- Minimized cashier fraud because of automatic ticket verification.

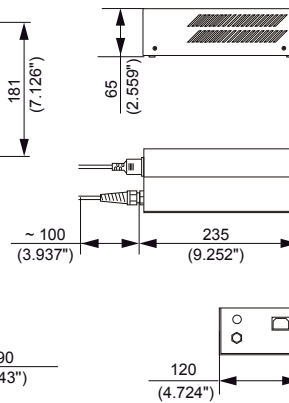
Coder Unlimited 'Desktop'



Coder Basic 'Desktop'



Power Supply



all dimensions in mm

Features

- Reliable and economical, thanks to low-noise high-speed printing
- Tamper-proof as printing, coding, and verification are done in one operation
- Very high-speed issuing
- Top quality printing produced by a 300 dpi thermal print head
- Direct thermal printing (blackening of a coated layer on the ticket's surface)
- USB interface, cash drawer interfaces
- Device can be locked with a removable key

Coder Unlimited

- ThermoReWrite keycards can be read and written to in a single operation
- Integrated RFID rest (for optional RFID functions)
- Two parking positions for the simultaneous processing of up to three tickets
- Two inputs to process fanfold tickets as well as to issue tickets and receipts on separate rolls
- Option to insert RFID tickets into one ticket slot (13 MHz module necessary)

Coder Basic

- Ultimate barcode scanning quality, thanks to the hermetically sealed scanner unit (above)
- Manual ticket insertion via the front ticket slot

Options

- Crosswise barcodes (top/bottom; interleaved 2/4)
- Hole detection module
- Validation light barriers to detect validation holes (only available when shipped ex-works)
- Cable for cash drawer control (1-IN/1-OUT or 4-IN/2-OUT)
- Locking system cylinder
- Cleaning set for Coder Unlimited & Coder Basic

Coder Unlimited

- Lengthwise barcodes (top/bottom; interleaved 2/4)
- Magnetic card reader (3 tracks, LOCO/HICO compatible)
- 13 MHz module including support for an internal/external antenna: keycards, ISO-15693, ISO-14443-3 A/B (on request via T=CL:ISO-14443-4 A/B, ISO-18092/NFC-IP1 – via T=1:max. 2x ISO-7816 SAM modules)

Technical Details

	Coder Unlimited	Coder Basic
System data carrier *)	TK/TK(C) Unlimited (barcode/magnetic stripe ticket) TKI Unlimited (infrared barcode ticket) keycard basic/unlimited/ca13/advanced/venue, keytix light, keywrist light, VP card with barcode	TK Unlimited VP Card with barcode
Other storage devices	Magnetic stripe cards (ISO 7811) RFID-based cards *) (ISO-15693, ISO-14443, ISO-18092)	
Dispensing speed	up to 1500 tickets per hour (up to 2000 without cutting)	up to 750 tickets per hour (when inserted manually)
Device dimensions	approx. 190 mm × 190 mm × 430 mm (W × H × D)	
Weight	up to 5 kg	up to 3 kg
Operating temperature range	0 °C to +40 °C (ambient temperature)	
Operating voltage/power consumption	24 V DC / 4–6.5 A / max. 156 W	
Interfaces	USB 2.0 compatible / cash drawer (4 inputs / 2 outputs)	
USB driver	XP(e)/W2000/SRV2003/Vista (x86 only), W7(e)/W2k8R2 (x86+x64)	
Guidelines/certifications	CE (incl. WEEE), _C UL _{US} , GOST-R, FCC, IC, KCC, Japan Certification (MIC)	
Housing color	Light silver-gray anthracite (~RAL 9006), dark anthracite (~RAL 7043), Data carrier shelf: SKIDATA yellow (corresponds approximately to Pantone 114U)	

*) Confirmation concerning whether different data carriers and/or formats will function properly can be obtained only from the sales support center.

*) Processing of 125 kHz SKIDATA data carriers are ONLY supported with an optional RFID module downgrade until the end of 2016 at the latest.

*) No additional new 13 MHz data carriers will be implemented into the existing 125kHz/13MHz RFID module (end of service).